

Iwatani Cassette Feu Series

Instruction Manual

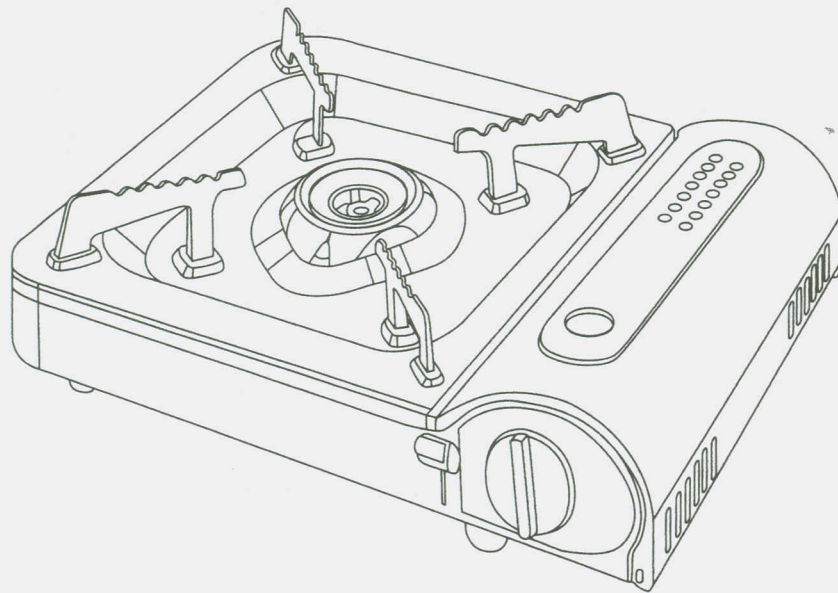
■ This stove is equipped for use with Butane Gas only. Do not operate this at temperature less than 32°F (0°C) room temperature.

■ Read instruction manual carefully before using

FOR YOUR SAFETY

Do not store or use gasoline or other liquids with flammable vapours in the vicinity of this or any other appliance.

Portable Butane Gas Stove



12,000 BTU

Approved by CSA



FOR YOUR SAFETY

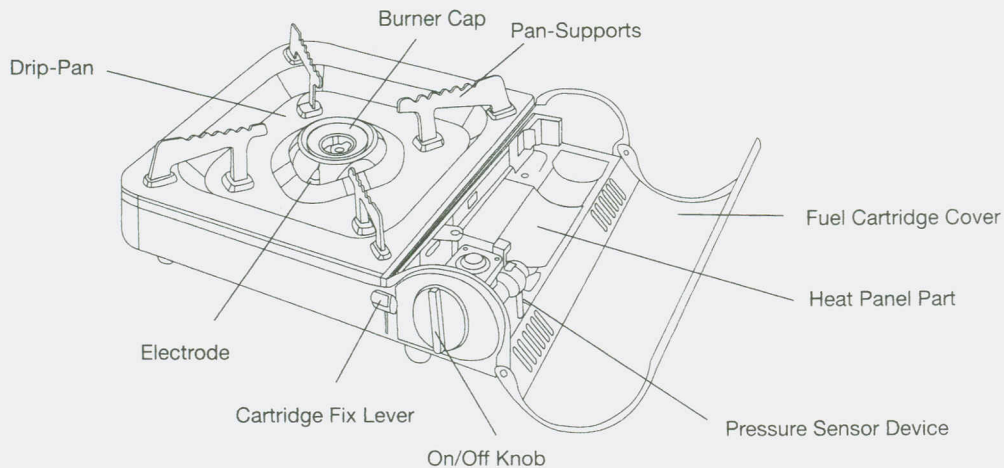
If you smell gas:

1. Do not attempt to light appliance.
2. Extinguish any open flame.
3. Disconnect from fuel supply.
4. Evacuate area, call for professional help.

A.G.A. Requirement No.3-90, Butane Stove

Model ZA-3HP

Name of Parts



Safety Features

1. Automatic Safety Stop

When gas pressure in gas container increases abnormally for some reason, gas supply from container to burner stops automatically and burner stops burning.

2. Safety Container Setting Device

Unless the control knob is positioned at "OFF", you cannot fix the container in the container compartment of the cooker.

3. Safety Joint

To protect gas leakage from the joint between cooker and container, two seal packings are incorporated in the joint.

4. Drip Pan Reversal-Prevention Mechanism

This is the mechanism that precludes the normal use of a drip pan when it is used in the inverted mode. When drip pan is used in the inverted mode, the drip pan cannot be rearranged to lie flat.

Handling Instructions

Fixing Fuel Cartridge

- Open cartridge cover.
- Turn the knob to OFF position. Make sure that the cartridge fixing lever is in OFF position. (Fig. 1)
 - * If knob is in ON position, the fuel cartridge can not be set into specified position because of safety locking mechanism.
- Place the fuel cartridge with cartridge guide in up-right position. (Fig. 2)
 - * Make sure the cartridge guide and the receiving guide always meet.

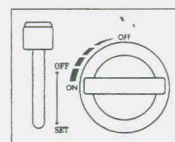


Fig.1

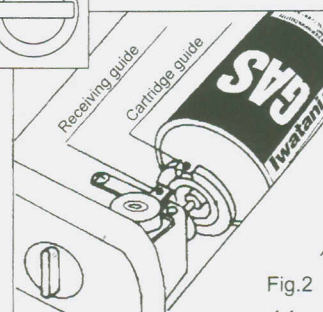


Fig.2

Butane Gas Canister: only to be used.

Available at restaurant dealers or BBQ supply stores.
Canisters must be marked to D.O.T. type 2P or 2Q containers.

- Push down the Cartridge Fix Lever to SET position. (Fig. 3)
 - * If cartridge is not set correctly, gas will leak with hissing sound. Check to see that no sound is coming out.
 - * Spray soapy water solution around gas connection, and watch for bubbles.

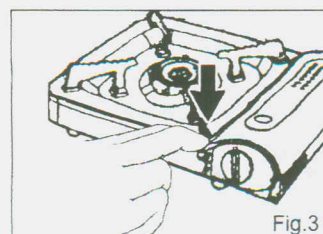


Fig.3

⚠ DANGER



CARBON MONOXIDE HAZARD

This appliance can produce carbon monoxide which has no odor.
Using it in an enclosed space can kill you.
Never use this appliance in an enclosed space such as a camper, tent, car or home.

Ignition

Turn the knob to ON position till ignition device makes clear click sound. Check that the burner is ignited. (Fig. 4)

- * If ignition is not made, repeat the directions.
- * Always check to see that ignition has been effective. If burner knob is in ON position when flame is not burning, there is gas escaping and could cause an accident.
- * Stove must not be exposed to other flammable vapours during lighting.

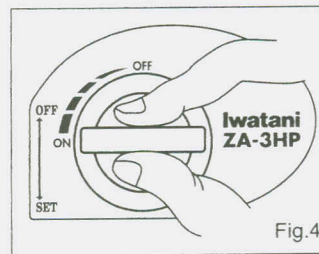


Fig.4

Turning Off

1. To turn off, return the knob to OFF position. (Fig. 5)
 2. Then return the fuel cartridge fix lever to OFF position, and take the fuel cartridge out.
- * Maintenance instructions (including recommended frequency guidelines) suggesting:
 - (a) Not obstructing the flow of combustion and ventilation air.
 - (b) Visually checking the burner flame, with an explanation of proper operation characteristics.
 - (c) Cleaning stove, including special surfaces, with recommended cleaning agents, if necessary.

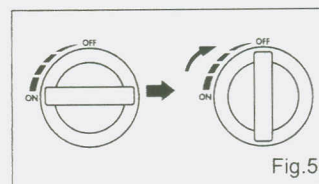


Fig.5

Special Precautions

Precautions for the Fuel Cartridge (Gas Container)

1. Keep out of reach of children at all times.
2. Prior to use, read through the instructions printed on the fuel cartridge (gas container).
3. Avoid exposure of the cartridge to direct sunlight (house and car windows) or flame and keep the cap on the cartridge when not in use. Store in a non-humid and cool place (temperature below 104°F/ 40°C). Do not store in the refrigerator. (Fig. 6)
4. Do not place the fuel cartridge in the vicinity of the other heat sources such as an open flame, a space heater. (Fig. 7)
5. Avoid any strong shock or impact to the fuel cartridge. Keep cartridges upright in storing.
6. Never throw used fuel cartridge in fires.
7. Dispose of the used fuel cartridge as non-combustible waste after the contained gas is completely used. A fire may break out in a garbage truck due to an incompletely used fuel cartridge. (Fig 8)
8. If the gas is still remaining in the cartridge when it is disposed of, completely use the gas somehow, before disposing of it. (Fig 9))
9. Storage of the stove indoors is permissible only if the cylinder is disconnected and removed from the stove.
Butane canisters must be stored outdoors in a well ventilated area.

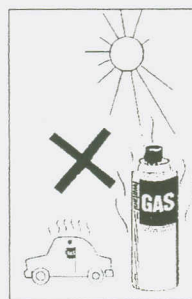


Fig.6



Fig.7

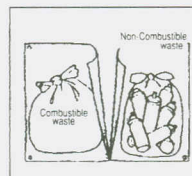


Fig.8



Fig.9

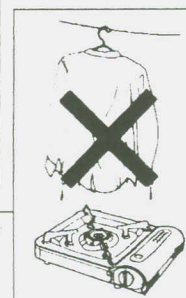
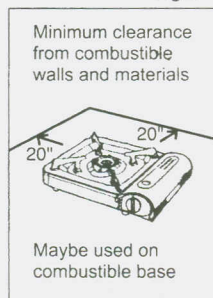


Fig.11

Precautions on Usages

1. Do not use as a space heater. Under questionable conditions, do not use this unit in confined shelters. Use only for cooking purposes (not for starting charcoal briques, etc.). Misused can cause a fire. (Fig. 10)
2. Do not use for drying clothes, etc. Things could fall into the flame. (Fig. 11)
3. When the unit is used on the combustible materials, like wooden table, plywood table, etc., please lay out the incombustible matting beneath the unit. The size of the incombustible matting must be **bigger than the unit** as per (Fig. 11B)

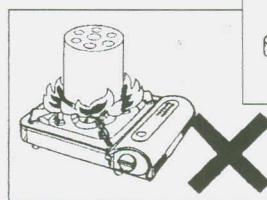


Fig.10

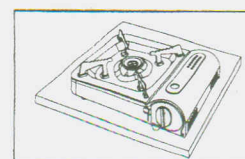


Fig.11B

Overheating Prevention

Never do any of the followings which could cause imperfect burning:

1. Do not use plates, pans, which extend over the edge of fuel cartridge cover. (Fig. 12)
2. Do not parallel using. (Fig. 13)
3. Never use the unit without drip-pan, pan support nor with water in the drip-pan.
4. Never use aluminum foil as a cooking container.
5. Never use this unit to start wood fire (Fig.10)
6. Do not use toasting net with asbestos, roasting grill with ceramic and ceramic plate. (Fig 14)
7. Do not use sweet potato roasting pan filled with stone, sands, ceramic. (Fig 15)
8. Never heat empty pans. (Fig 16)

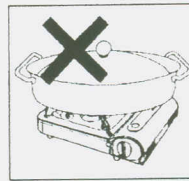


Fig.12

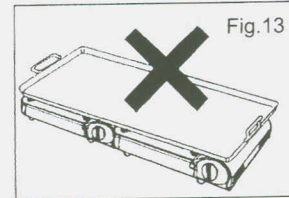


Fig.13

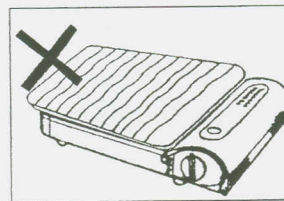


Fig.14

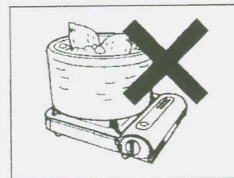


Fig.15

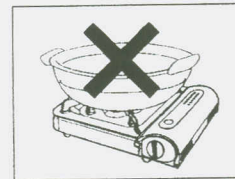


Fig.16

Precautions on Place of Use

1. Do not use in unventilated places, since this unit consumes air (Oxygen). Provide ample ventilation by utilizing at least two openings, preferably ceiling level and ground level on opposite walls to avoid possible asphyxiation from deadly gases. Provide additional ventilation for any additional fuel-burning appliances.
2. Avoid using near strong winds or hot winds. The flame may be put out by a strong wind or hot wind makes the pressure of gas cartridge rise up and it might cause the explosion. (Fig. 17)
3. Do not place below a shelf or in a place with a danger of falling objects. (Fig. 18)
4. Place unit sufficiently away from inflammables such as curtain, etc. (Fig. 19)
5. Avoid direct sunlight and place a board under the unit to prevent sand, mud and stones from entering the unit. (Fig. 20)
6. Do not use the unit on induction cooker, electric range which generates heat. (Fig 21)
7. Do not use in the vicinity of the other heat sources such as an open flame, a space heater. (Fig 22)
8. The unit with clearance to combustible materials of top 40", left and right side 20". (Fig 23)

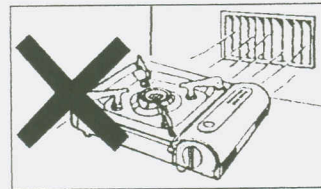


Fig.17

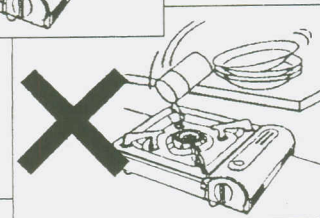


Fig.18

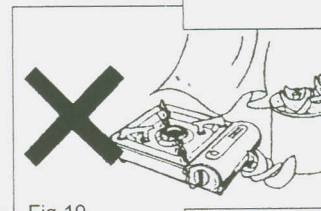


Fig.19

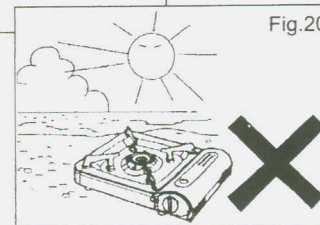


Fig.20

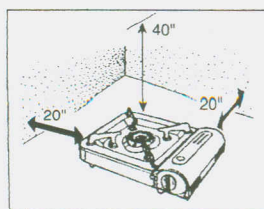


Fig.23

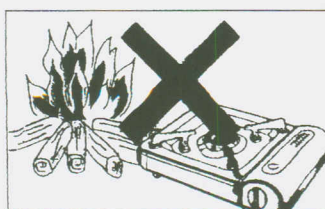


Fig.22

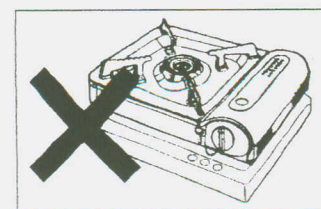


Fig.21

* No more than 48 LP-Gas fuel canisters shall be stored in one building.

Gas Leakage Prevention

1. Check burning condition often and at the time of turning on/off.
2. After using, turn knob to OFF position, and make sure the flame is out. (Fig. 24)

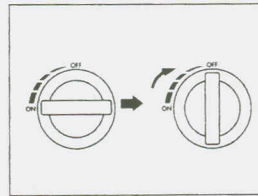


Fig.24

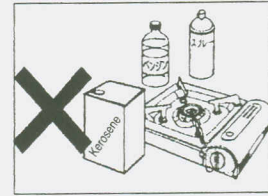


Fig.25

Fire Prevention

1. Do not place any inflammable material under or around the unit. (Fig. 25)
2. Do not carry the unit while burning. It can be very dangerous if dropped. (Fig. 26)

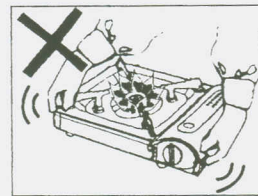


Fig.26

Burn Prevention

1. Do not touch the unit while in use or just after using.
2. Keep children away from unit.

Prevention of Gas Accidents

In the case of gas leak, it will smell of Butane gas (like rotten onion), turn the unit knob to OFF position and turn the Cartridge Fix Lever to OFF position. Then, exchange air the room out. Because Butane Gas has approx. two times heavier than air, it will remain along the floor. Never use fire until room completely clears of gas.

Caution: Do not turn on electrical switches as they might cause sparks which may ignite. (Fig. 26)

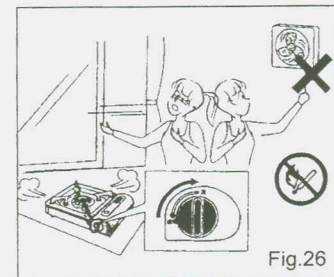


Fig.26

What to do about Abnormal Combustion

In case of abnormal combustion or emergency, turn the knob to OFF position which will stop gas, and then the Cartridge Fix Lever to off and take the fuel cartridge out. (Fig. 27)

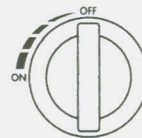


Fig.27

Handling When Safety Stop Mechanism Works

The unit stops burning automatically by the built-in Pressure sensor device when unit is improperly used, e.g. covered up by an iron plate, used in direct sunlight, etc., and the inner pressure of fuel cartridge increases abnormally 71-99 psi or 5-7 kg/cm². In this case, please refer to the directions and remove the cause before resetting the safety mechanism.

To continue usage and resetting of safety mechanism

1. Turn the knob to OFF position.
2. Turn the cartridge fix lever to OFF position and take the fuel cartridge out.

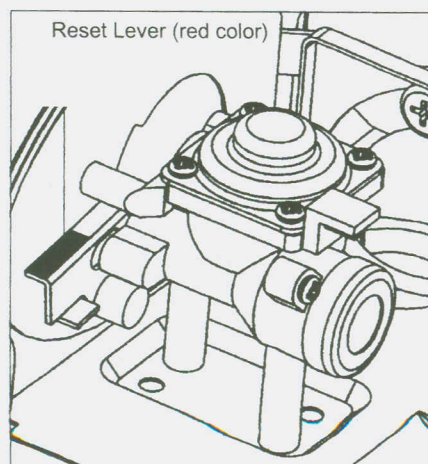


Fig.28

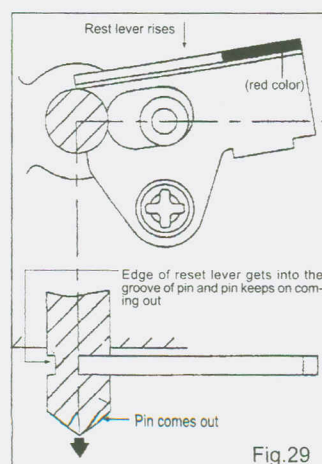


Fig.29

When safety mechanism works

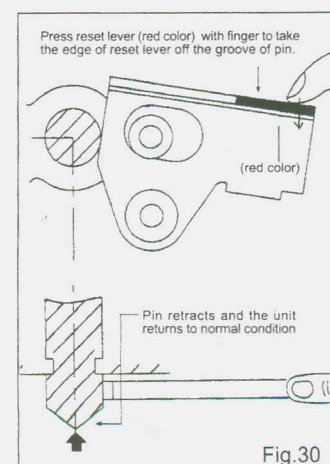


Fig.30

To reset safety mechanism

- Get rid of the cause of safety stop mechanism works to read Special Precautions.
- Place new fuel cartridge after checking that the cartridge fix lever is in OFF position. (If new fuel cartridge is not on hand, cool down the fuel cartridge in use with water.)
Fix the new fuel cartridge to push down the cartridge fix lever.
- Press the reset lever (red color) with finger to take the edge of reset lever off the groove of pin. Make sure pin retracts when pressing the reset lever. The unit will return to normal condition. (In case a new fuel cartridge has high inner pressure, the safety stop mechanism will repeat the same function again.) (Fig. 28, 29, 30)
- Ignite the burner to turn the knob to ON position.

Regular Checking and Cleaning

Cautions of Checking and Cleaning

- Make sure that the fuel cartridge is removed before checking and cleaning.
- Never disjoint safety devices and gas flowing parts.

Checking and Cleaning

- Body: Wipe off with clean cloth. When necessary, use kitchen cleaner on the cloth and then finish with a dry cloth.
- Pan Support and Drip-Pan: After washing, wipe with dry cloth.
- Burner: Clean the burner top with hard brush.

Long-Term Storing

- Make sure the drip pan and unit body are clean and dry.
- Never store the unit with fuel cartridge. Always store them separately.

Use only the gas fuel cartridge marked IWATANI.
Warning: Do not use any other cartridge. Use of any other brand of fuel cartridge is at the risk of user.

Feature of Heat Panel System

Heat Panel System is installed in model ZA-3HP stove.

Producing High Heat until canister is empty: Heat Panel System maintains constant pressure to ensure high heat output until the canister is nearly completely empty.

Environmentally Friendly: Heat Panel System virtually eliminates the danger of unused gas remaining in the canister. It comes to controlling waste and protecting the environment.

Checkpoints for Abnormal Conditions

Conditions	Cannot set the cartridge	No ignition	Works Safety Stop Mechanism	Stopped burning while in use	Slow burning	Gas Smell	Maintenance
Causes							
ON/OFF Knob is not in OFF position	•						Turn the knob to OFF position
Lack of fuel		•	•	•			Use a new fuel cartridge
Dirty Burner		•			•		Clean the burner
Electrode Smudge		•			•		Wipe off the smudge
Function of Safety Stop Mechanism			•	•			Remove any cause and reset
Disorder of Valve						•	Request for inspection and maintenance service

Specifications of Butane Gas Stove ZA-3HP

Name of Appliance	IWATANI CASSETTE FEU Portable Butane Gas Stove
Model	ZA-3HP
Ignition Method	Piezoelectric ignition
Safety Features	1. Automatic safety stop 2. Safety container setting device 3. Safety Joint 4. Drip pan reversal prevention mechanism
Outside Dimensions (In use)	356 W x 279 D x 108 H (mm) 14 W x 11 D x 4.3 H (inch)
Weight	approx. 1.7kgs (3.75 lbs)
Fuel	Butane gas
Output	12,000 BTU
Gas consumption	250 g/h
Continuous Burning time at maximum position	Approx. 53 min. at ambient temperature 68°F ~ 77°F.
Gas Fuel to be used	Iwatani brand Gas Fuel
Size of pan can be used	Diameter of top of pan: 10.2 inch or less

For use indoors restaurant or outdoor camping.

Iwatani Corporation, Japan

21-8, Nishi-Shimbashi 3-chome, Minato-ku, Tokyo 105-8458, Japan

Tel: +81-3-5405-5615 Fax: +81-3-5405-5637